

# STRATUS



## Installation Guide

Revision 1.3

Last revised: November 6, 2020

**Disclaimer:**

This document and its contents are not certified.

## Stratus 3i Installation Guide

©2018-20 Appareo Systems, LLC. All Rights Reserved.

Stratus 3i Installation Guide. All content within is copyrighted by Appareo Systems, LLC, and may not be reprinted without permission.

The content of this guide is furnished for informational use only, is subject to change without notice, and should not be construed as a commitment by Appareo Systems, LLC. Appareo assumes no responsibility or liability for any errors or inaccuracies that may appear in the information content contained in this guide. Unauthorized replication of this guide is prohibited.

Appareo, Appareo Systems, Stratus, and the Appareo logos are either registered trademarks or trademarks of Appareo Systems, LLC. MITRE is a registered trademark of the MITRE Corporation. iPad, iPhone, and iPod touch are registered trademarks of Apple Inc. App Store is a service mark of Apple Inc. All other trademarks and registered trademarks are the sole property of their respective owners.

Appareo Systems, LLC, 1810 NDSU Research Circle North, Fargo, ND 58102 USA.

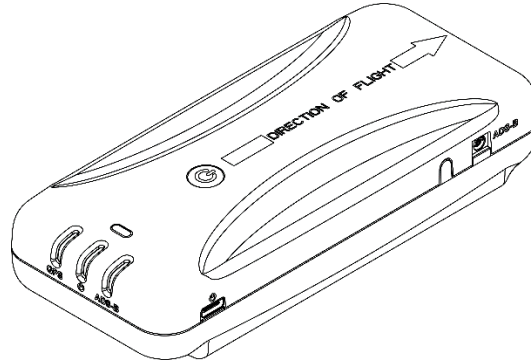
To view the most current version of this document, go to [www.appareo.com/dealer-portal](http://www.appareo.com/dealer-portal) or [www.appareo.com/resources](http://www.appareo.com/resources).

Record of Revision			
Revision Number	Change Description	Revision Date	Inserted By
1.0	Initial release	7/11/18	AAL
1.1	Updated certification disclaimer	8/29/18	AAL
1.2	Updated Stratus ES wiring diagram	1/15/19	AAL
1.3	Fixed arrows in Stratus ES wiring diagram	11/6/20	AAL

## About Stratus 3i

Stratus 3i is a portable receiver that is wired to Stratus ES/ESG. It receives auxiliary power from the transponder and also receives the ADS-B and GPS signal from the transponder's externally-mounted antennas.

Refer to the installation instructions on [www.appareo.com/resources](http://www.appareo.com/resources) or [appareo.com/dealer-portal/manuals](http://appareo.com/dealer-portal/manuals) to install Stratus ES/ESG.



### Supplied Components

- Stratus 3i ADS-B In portable receiver
- Mounting clip
- 9-pin D-Sub connector with mounting hardware
- Power serial interface cable
- BNC jack to blind mate adapter
- RF interface cable

## Placing Stratus 3i in the Aircraft

Stratus 3i can be placed anywhere in the cockpit in any orientation (including sideways or upside down) as long as the Direction of Flight arrow on the top of the receiver points in the direction of flight.

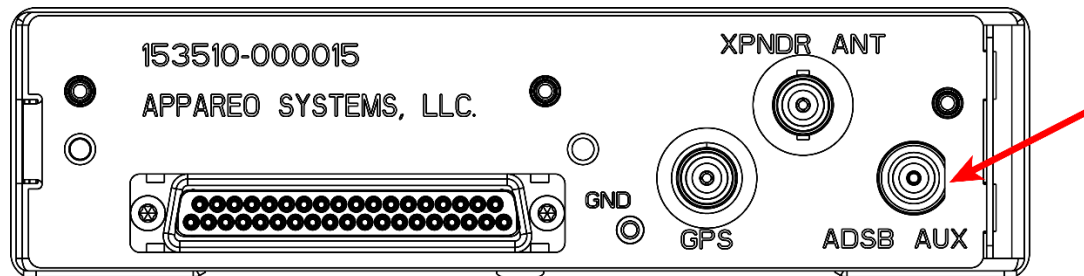
*The provided mounting clip can be used to secure the receiver in the aircraft. The holes in the Stratus 3i mount are also compatible with many RAM mounts.*



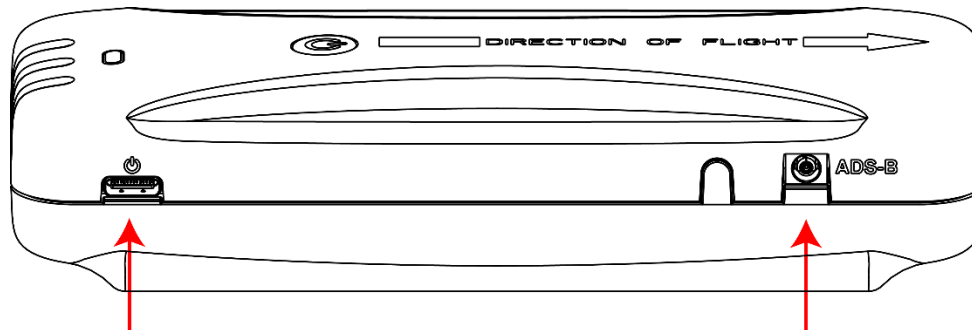
**CAUTION:** Make sure that aircraft power is disconnected before connecting any cabling.

## Installing the Interface Cables

1. Wire the 9 pin D-Sub connector to the transponder following the wiring diagram on Page 6 or 7 and the specifications below.
  - **Maximum harness length:** 3 feet
  - **Wire gauge:** 20 AWG
2. Plug the Stratus 3i power serial interface cable into the 9-pin D-Sub connector. Secure using the thumb screws.
3. Install the BNC blind mate adapter in the ADSB AUX hole on the transponder backplate.



4. Plug the BNC connector of the Stratus 3i RF interface cable into the BNC adapter.
5. Connect the remaining end of the power serial cable into the power port of Stratus 3i, and the remaining end of the Stratus 3i RF interface cable into the ADS-B port of Stratus 3i. Secure cables as necessary.



6. Power on the aircraft to make sure that Stratus 3i is receiving power. Refer to the LED indicator statuses on Page 8.

## Configuring the Transponder

After Stratus 3i has been installed, configure the transponder to allow for ADS-B In receiver information.

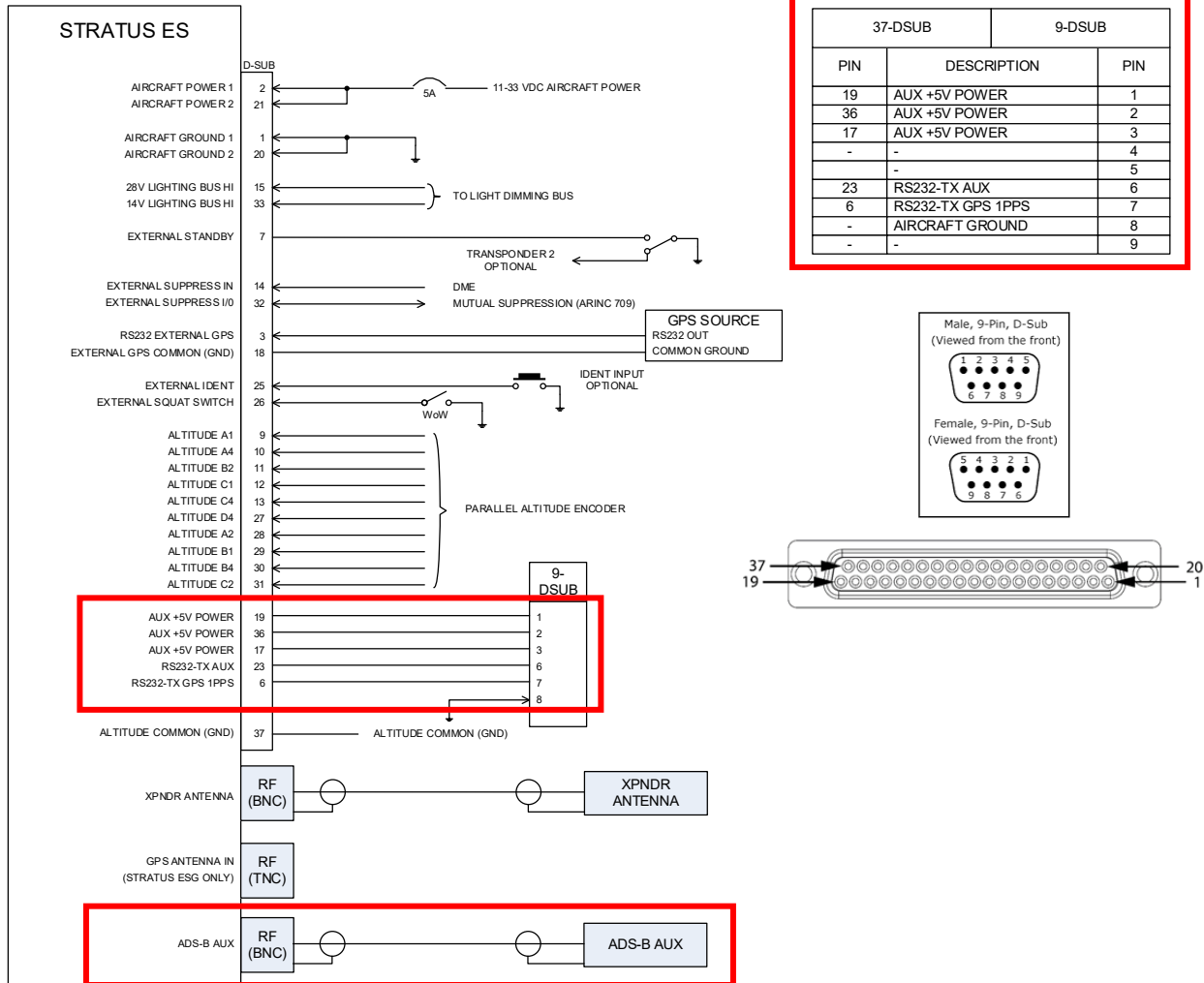
1. Enter into configuration mode on the transponder.  
*To enter into configuration mode: While holding the **FUNC** key, press and release the **PWR** key.*
2. Press **FUNC** or the arrow keys to navigate to the **ADS-B Capability** screen. Press **ENT**.
3. Use the arrow keys to select **UAT and 1090 ES**. Press **ENT**.

## Turning on Stratus 3i

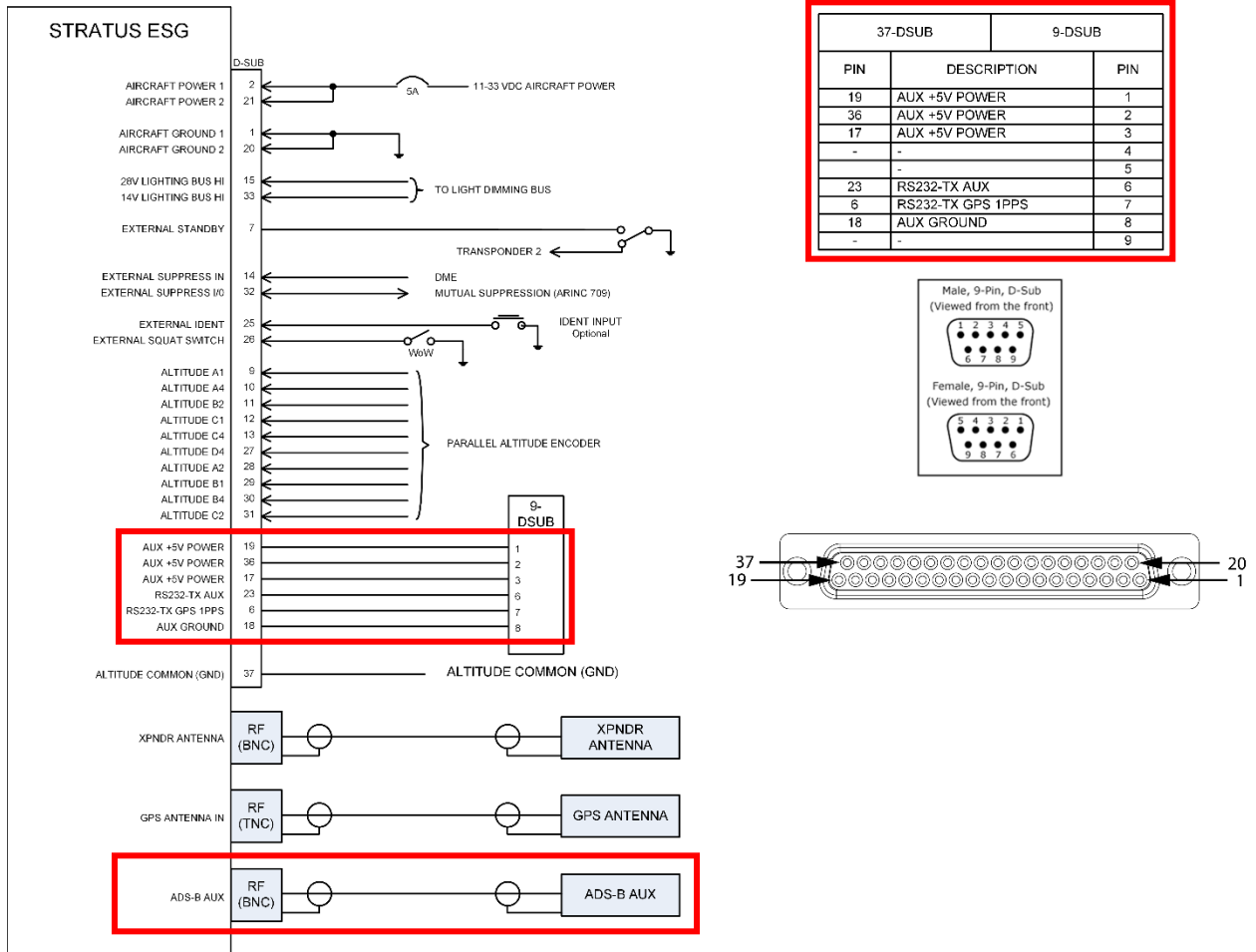
Stratus 3i automatically turns on when it receives aircraft power.

If Stratus 3i is moved after being turned on, you must re-calibrate it in Stratus Horizon Pro or ForeFlight Mobile.

# Stratus ES to Stratus 3i Wiring Diagram



# Stratus ESG to Stratus 3i Wiring Diagram



## LED Indicator Status

Label	LED Color	LED Status	Meaning
GPS	Green	Solid	3-D GPS lock achieved
	Yellow	Flashing	No GPS lock, searching for signal.
	Off	Off	Receiver is powered off.
Power ⏻	Green	Flashing	Receiver is powered on and operational.
	Off	Off	No power is being received; receiver is powered off.
ADS-B	Green	Solid	ADS-B FIS-B signal has been received from <b>multiple</b> towers in the past three seconds.
	Yellow	Solid	ADS-B FIS-B signal has been received from <b>one</b> tower in the past three seconds.
	Off	Off	ADS-B FIS-B signal has <b>not</b> been received in the past three seconds.
All indicators	Briefly red then green	Solid	Receiver is powering on and calibrating.
	Red	Flashing	Built-in-test failure. Contact support for assistance.
	Yellow	Flashing	Installing firmware update.
		Solid	Applying firmware update.
	Green	Solid for two seconds	Firmware update complete.
		Off for five seconds, then flashing	Power button is pressed. After 30 seconds, factory reset process begins.
Green to yellow to green	Solid	Factory reset is complete.	

© 2018-20 Appareo Systems, LLC. All Rights Reserved.