

STRATUS

by APPAREO

Stratus ES/ESG to Portable Receiver Connector Plate Installation Guide

Revision 2.3

Disclaimer:

This document and its contents are not certified.

STRATUS ES/ESG

©2015-2019 Appareo Systems, LLC. All Rights Reserved.

Stratus ES/ESG to Portable Receiver Connector Plate Installation Guide. All content within is copyrighted by Appareo Systems, LLC, and may not be reprinted without permission.

The content of this guide is furnished for informational use only, is subject to change without notice, and should not be construed as a commitment by Appareo Systems, LLC. Appareo assumes no responsibility or liability for any errors or inaccuracies that may appear in the information content contained in this guide. Unauthorized replication of this guide is prohibited.

Appareo, Appareo Systems, Stratus ES, Stratus ESG, and the Appareo and Stratus logos are either registered trademarks or trademarks of Appareo Systems, LLC. All other trademarks and registered trademarks are the sole property of their respective owners.

Appareo Systems, LLC, 1830 NDSU Research Circle North, Fargo, ND 58102 USA.

To view the most current version of this document, go to www.appareo.com/dealer-portal or www.appareo.com/resources.

Record of Revision			
Revision Number	Change Description	Revision Date	Inserted By
1.0	Initial release	1/22/16	AAL
1.1	CM 19446	2/24/16	AAL
1.2	CM 19785	4/27/16	AAL
2.0	Updated to include Stratus ES	7/06/17	AAL
2.1	Updated to include new portable receiver	6/18/18	AAL
2.2	Updated certification disclaimer	8/29/18	AAL
2.3	Clarified DSUB wiring in Stratus ES wiring diagram	1/15/19	AAL

About the Interface Kit

The Stratus ES/ESG interface kit provides easy connection and disconnection from a Stratus 1S, 2, 2S, or 3 portable receiver to Stratus ES/ESG. The receiver then receives auxiliary power from the transponder and also receives the ADS-B and GPS signal from the transponder's externally-mounted antennas.

Refer to the installation instructions on www.appareo.com/resources or appareo.com/dealer-portal/manuals to install Stratus ES/ESG.

Supplied Components

Component	Appareo Part Number	Quantity Needed
BNC Connector	251015-000078	1
BNC to BNC Connector	251015-000089	1
9 Pin D-Sub Connector with mounting hardware	251015-000094	1
MS-151 to BNC Cable	253030-000008	1
Right Angle USB Type C to 9 Pin D-Sub Cable or USB Micro B to 9 Pin D-Sub Cable	353050-000013 or 353050-000014	1
Connector Plate	353070-000043	1

Additional Components Needed

Component	Specifications	Quantity Needed
RF cabling	RG 400	Varies, max length 3 ft
D-Sub cabling	20 AWG	Varies, max length 3 ft

Tools Needed

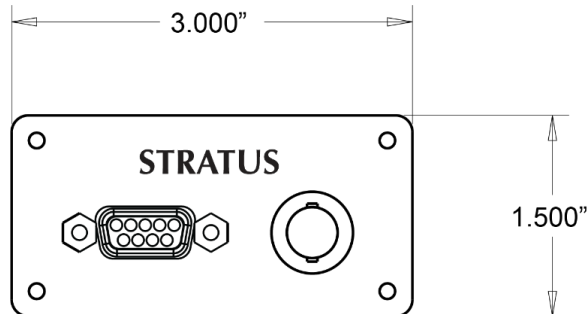
- Screwdriver
- Retaining ring pliers
- Standard wrenches



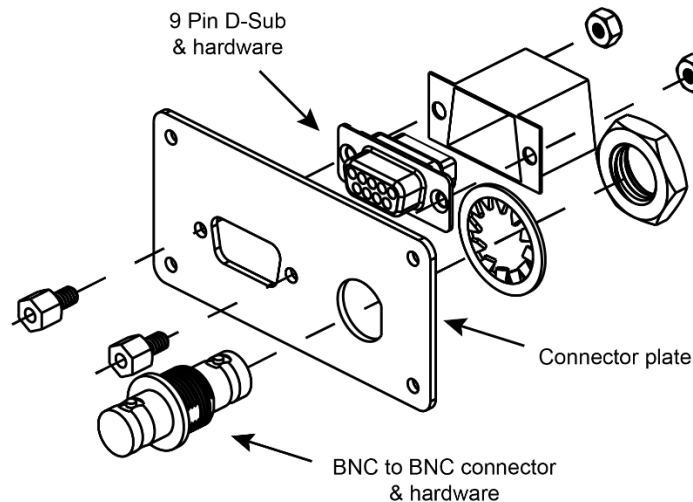
CAUTION: Make sure that aircraft power is disconnected before connecting any cabling.

Installing the connector plate

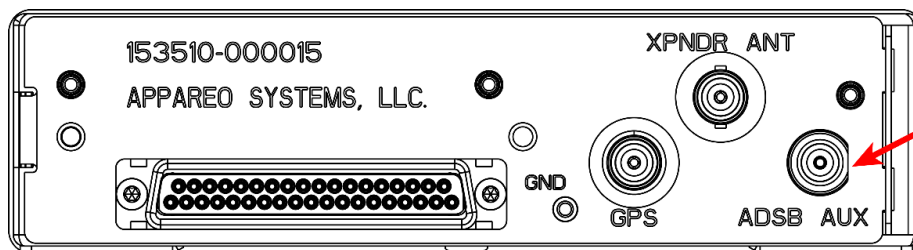
1. Find a connector plate mounting location. The connector plate measures approximately 1.5" x 3" and can be secured in any orientation anywhere in the cockpit.



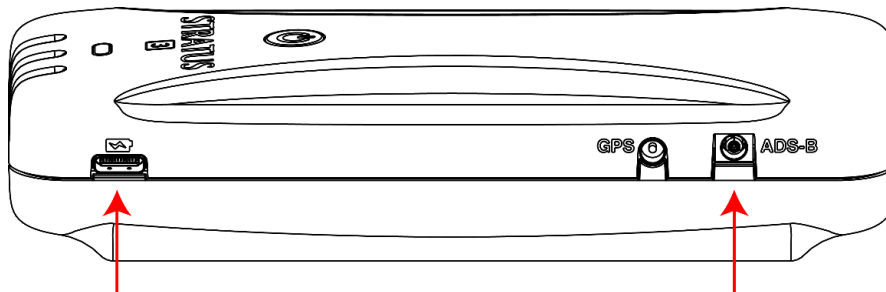
2. Orient the connector plate so that one of the Stratus logos is visible and readable. Mount the 9-Pin D-Sub and BNC to BNC connector (251015-000089) onto the connector plate, as shown in the diagram below.



3. Install the BNC connector (251015-000078) in the ADSB AUX hole on the transponder backplate.



4. Wire the connector plate to the transponder following the wiring diagram on page 6 or 7 and using the cabling specified under *Additional Components* on page 3.
5. Plug the D-Sub cable into the connector plate 9-pin D-Sub connector. Secure using the thumb screws.
6. Plug the BNC cable into the connector plate BNC adapter.
7. Connect the remaining end of the power serial cable into the power port of the receiver, and the remaining end of the RF interface cable into the ADS-B port of the receiver. Secure cables as necessary.



Configuring the transponder

After the interface kit has been installed, configure the transponder to allow for ADS-B In receiver information.

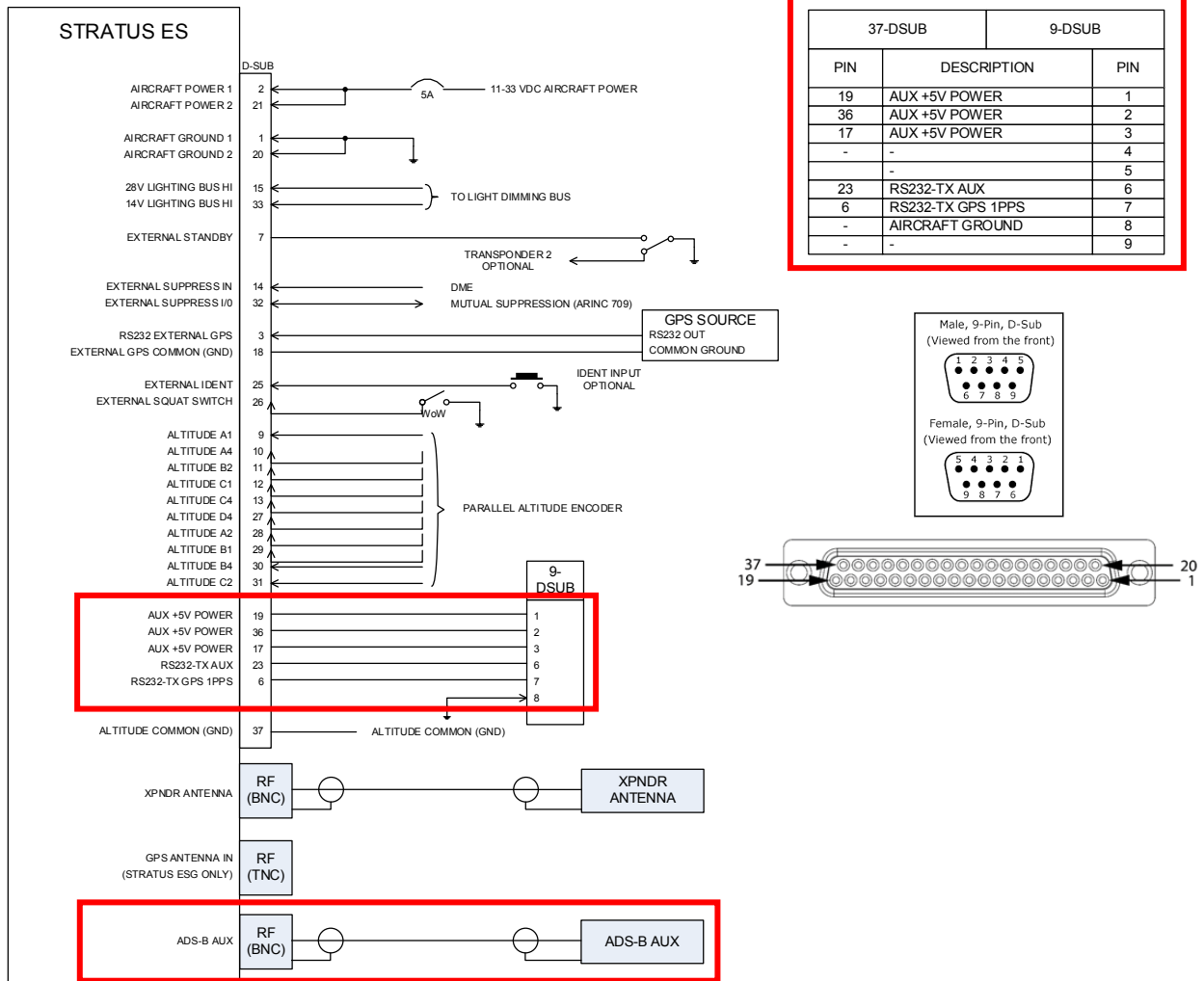
1. Enter into configuration mode on the transponder.
*To enter into configuration mode: While holding the **FUNC** key, press and release the **PWR** key.*
2. Press **FUNC** or the arrow keys to navigate to the **ADS-B In Capability** screen. Press **ENT**.
3. Use the arrow keys to select the frequency associated with your receiver. Press **ENT**.

Receiver	Frequency
Stratus 1S	UAT
Stratus 2, 2S, or 3	UAT and 1090 ES

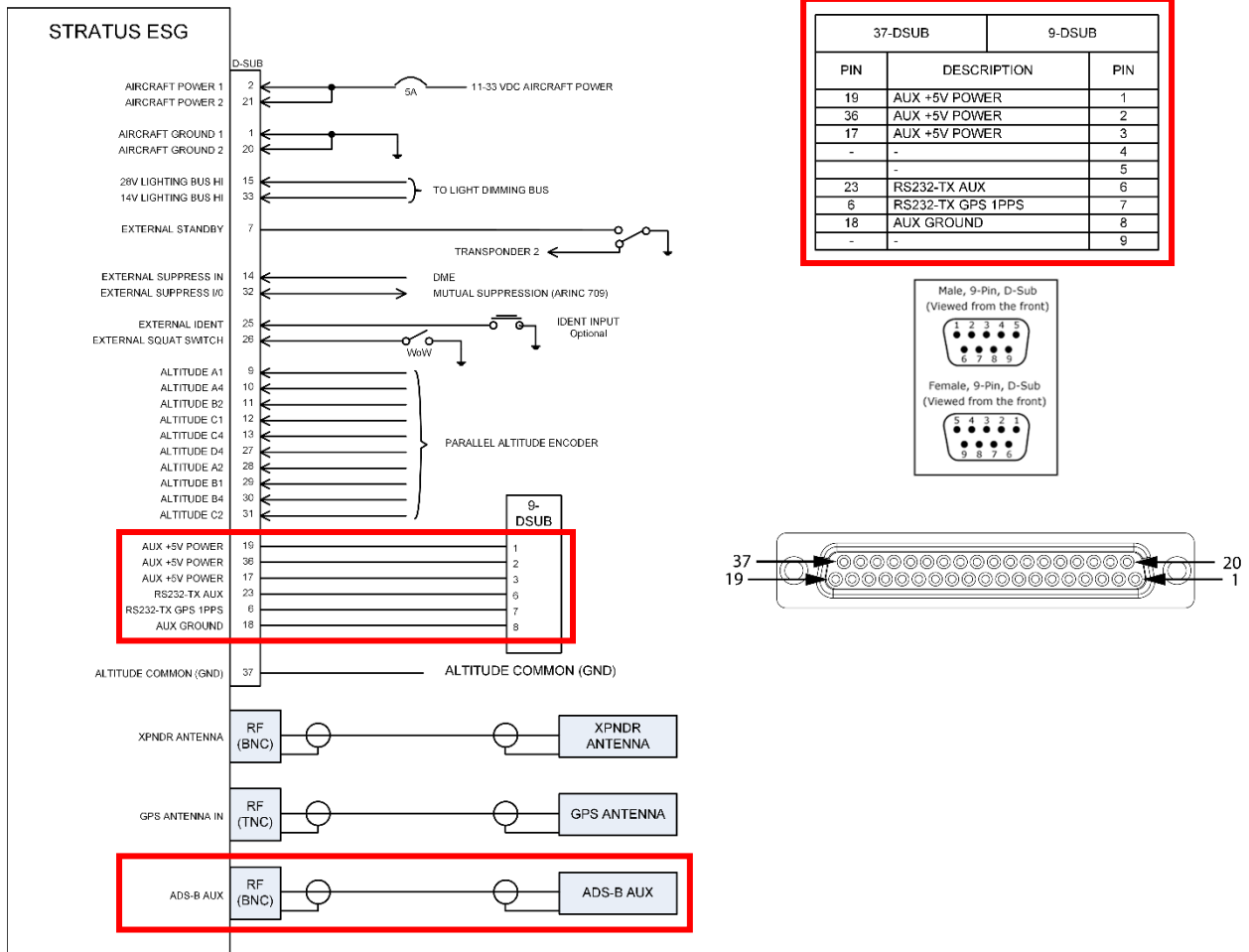
Automatically turning on the receiver

You can configure the receiver to automatically turn on when the transponder is powered on. To enable this, navigate to the Stratus Status page of ForeFlight Mobile or the settings page of Stratus Horizon Pro, then enable the **Turn on When Plugged In** switch.

Stratus ES to Stratus Portable Receiver Wiring Diagram



Stratus ESG to Stratus Portable Receiver Wiring Diagram



© 2015-2019 Appareo Systems, LLC. All Rights Reserved.