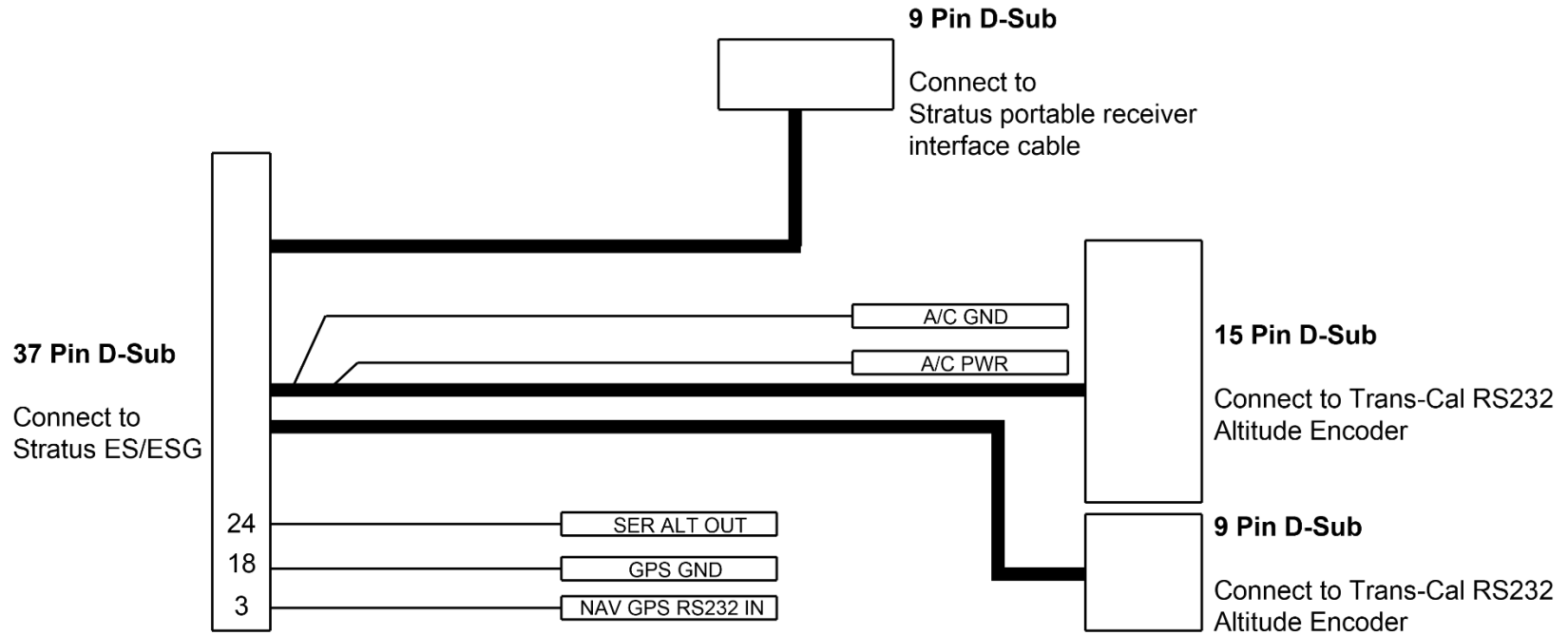


Universal Stratus Transponder Wiring Harness Diagram



STRATUS ES/ESG PINS (IF APPLICABLE)

15	○	STRATUS ESG 28V DIMMER	_____
33	○	STRATUS ESG 14V DIMMER	_____
26	○	STRATUS ESG SQUAT SWITCH	_____
25	○	STRATUS ESG EXTERNAL IDENT	_____
7	○	STRATUS ESG EXTERNAL STANDBY	_____
14	○	STRATUS ESG SUPPRESS IN (DME)	_____
32	○	STRATUS ESG SUPPRESS I/O (TRAFFIC SYSTEM)	_____